

Wireless Infrared Motion Sensor



Technical Overview

General Description

The wireless motion sensor uses an infrared sensor to accurately detect movements made by people/animals within 16.4 ft (5 m) range.

Features

- Detects motion.
- Free basic online wireless sensor monitoring and notification system to configure sensors, view data and set alerts via SMS text and email.

Principle of Operation

The Wireless Infrared Motion Sensor detects motion and movement using infrared technology. When the sensor detects movement it communicates with the On-line Sensor Monitoring and Notification System. BZ-TECH stores all data in the online system where the data can be reviewed and exported as a data sheet or graph. Notifications can be set up through the online system to alert the user when motion has been detected.

Power Options

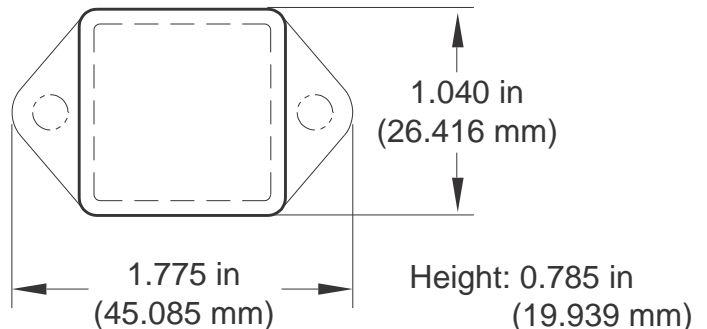
Sensors are powered by a replaceable 3.0 V coin cell battery. Optional AA battery powered sensors are available. The AA version of these sensors are larger in size (3" [L] x 2.1" [W] x 1.2" [H]) and include two long-life AA batteries.

It is recommended that unless you are using the AA battery solution, you set heartbeat to no faster than one hour to preserve battery life.

BZ-TECH Sensors Core Specifications

- Power: Replaceable 3.0 V coin cell battery
- Communication: RF 900, 868 and 433 MHz
- Dimensions: 1.775" x 1.040" x 0.785"
- Antenna: 4" wire antenna
- Operating Temperature: -7° to 60°C (20° to 140°F)
- Device Range: 250 - 300 ft. non-line-of-sight*
- Battery Life: With normal use, coin cell battery will last —5-6 months. AA batteries will last over 1 year.**

* Actual range may vary depending on environment.
 ** Battery life is determined by sensor reporting frequency and other variables.




Maximum Ratings

Temperature Range	- 7°C to +60°C (20°F to +140°F)
-------------------	--------------------------------------

Example Applications

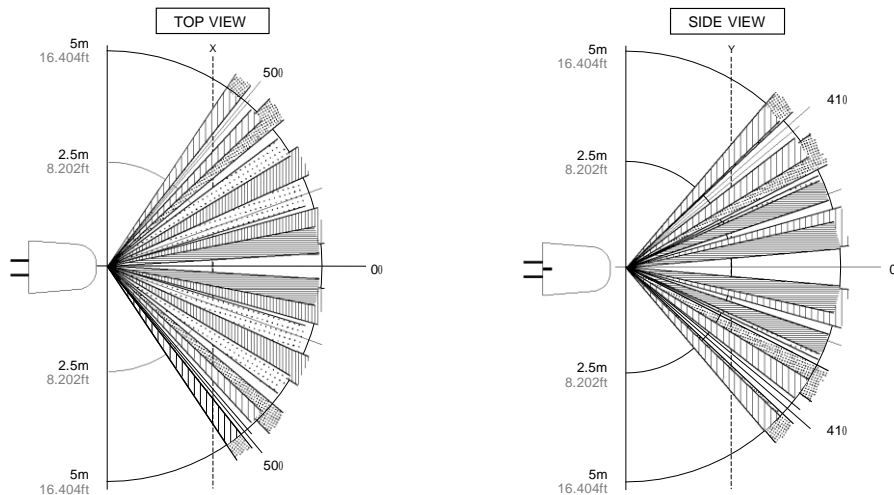
- Monitor area access.
- Detect when people enter a room.

Technical Specifications

Supply Voltage	2.0 - 3.6 VDC *
Current Consumption	0.7 pA (sleep mode) 2 mA (radio idle/off mode) 2 mA (measurement mode) 25 mA (radio RX mode) 35 mA (radio TX mode)
Operating Temperature Range (Board Circuitry and Coin Cell)	-7°C to +60°C (20°F to +140°F)**
Optimal Battery Temperature Range (Coin Cell)	+10°C to +50°C (+50°F to +122°F)
Sensor Detection Range	16.4 ft (5 m)
Reted Consumption Current (Standby)	Typ: 170 μ A Max: 300 μ A
Sensor Warmup Time	30 Seconds
Certifications	 900 MHz product; FCC ID: ZTL- RFSC1 and IC: 9794A-RFSC1. 868 and 433 MHz product tested and found to comply with: CISPR 22:2008-09 / EN 55022:2010 - Class B and ETSI EN 300 220-2 V2.4.1 (2012-05).

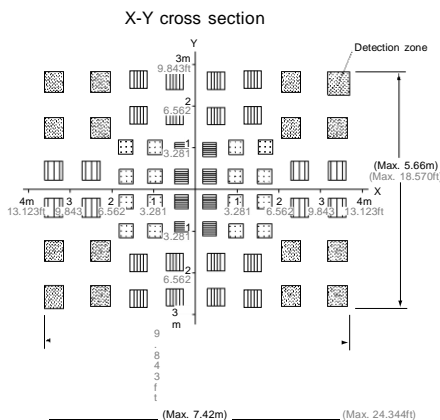
* Hardware can not withstand negative voltage. Please take care when connecting a power device.

** At temperatures above 100°C, it is possible for the board circuitry to lose programmed memory.



Remarks:

1. The X-Y cross-sectional diagram shows the detection area.
2. The differences in the detection zone patterns are indicative of the projections of the 16 lenses with single focal point and with five optical axes. An object whose temperature differs from the background temperature and which crosses inside the detection zone will be detected.



BZ-TECH
GAN HADAROM
HAZAIT 11 STR
7925500
ISRAEL

For more information about our products or to place an order, please contact our sales department at +972-77-7756001, +972-8-8523548
Visit us on the web at www.bz-tech.co.il