



Wi-Fi Humidity Sensor

Technical Overview

General Description

The BZ-TECH Wi-Fi Humidity (RH) sensor allows you to monitor the relative humidity of the air within a room or enclosure. Ideal for monitoring humidity within greenhouses, museums and building applications. An integrated 802.11 b/g radio allows the sensor to work with any existing Wi-Fi network. BZ-TECH Wi-Fi sensors can be easily programmed with your Wi-Fi network's WEP or WPA(2) security via the free Setup Utility (PC application) and a USB programming cable.

Features

- +/- 1.8% accuracy (between 10% - 90% RH).
- Scientific grade sensor I calculates dewpoint.
- Logs data if Wi-Fi network is disrupted.
- Free basic online wireless sensor monitoring and notification system to configure sensors, view data and set alerts via SMS text and email.

Principle of Operation

The BZ-TECH Wi-Fi Humidity (RH) Sensor measures the relative humidity at the device. The sensor returns RH and temperature values to the Online Sensor Monitoring and Notification System. The system calculates dewpoint from the data and stores all three data points in the online system where the data can be re-viewed and exported as a data sheet or graph. Notifications can be set up through the online system to alert the user when defined thresholds have been met or exceeded.

High Gain Antenna Option

BZ-TECH Wi-Fi sensors are also available with a detachable high gain antenna to provide a 20-30% increase in range over the standard Wi-Fi sensor. Option uses a different hardware configuration and must be chosen at time of purchase.

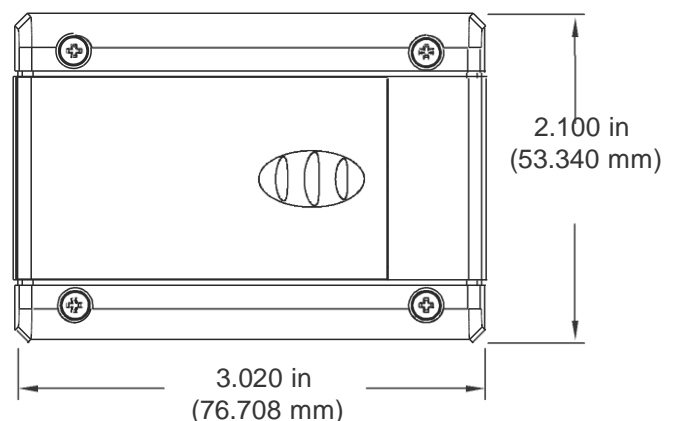


BZ-TECH Wi-Fi Sensor Electronics Specifications

- Power: 2 replaceable 1.5V "AA" batteries (included)
- Communication: 802.11 b/g
(2.412 - 2.484 GHz)
- Wi-Fi Security: Open, WEP, WPA, WPA2
- Dimensions: 3.02" x 2.1" x 1.27"
- Transmission Range: Up to 250 ft. *
- Battery Life: Up to 5 years.**


* Actual range may vary depending on environment.
 ** Battery life is affected by sensor type, Wi-Fi security type, distance from Wi-Fi router, reporting frequency and other variables.

Height: 1.270 in (32.258 mm)

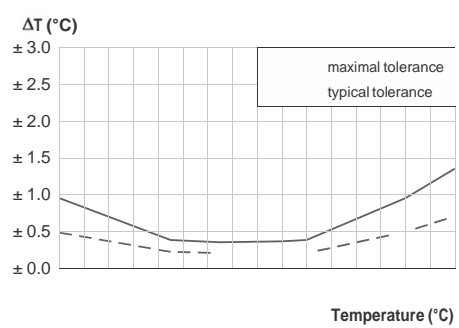
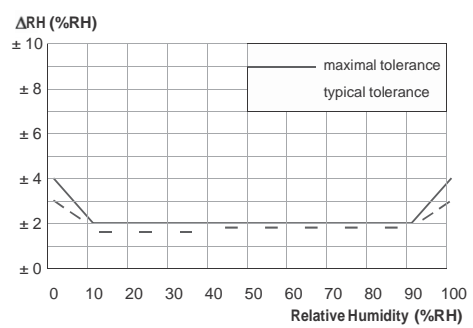


Applications

- Greenhouse humidity monitoring.
- Agriculture environmental monitoring.
- Art gallery and museum environmental monitoring.
- Humidor monitoring.
- General weather and environmental monitoring.

Technical Specifications	
Networking Standards	IEEE 802.11 b/g
Frequency Band	2.412 - 2.484 GHz
Wi-Fi Security Standards	Open, WEP, WPA, WPA2
Wi-Fi Security Programming	Via PC software using USB cable. (Can be changed through online software.)
Network Settings	Auto DHCP/DNS or Static
Data Logging	Standard - On Wi-Fi disruption, unit will log the first 50 readings and transmit when Wi-Fi connection is re-established. Premiere - Unit can record up to 50,000 readings and transmit when Wi-Fi is available.
Power consumption	4uA sleep, 35mA active RX, 180mA TX (at +12dBm)
Battery Life	Up to 5 years depending on sensor type, Wi-Fi security, distance from Wi-Fi router, reporting frequency and other variables. (Testing surpassed 90,000 transmissions until battery depletion.)
Wi-Fi Data Rate	Auto configures to best rate for maximum range.
Wireless Range	Up to 250 ft. device range (typical to standard Wi-Fi devices).
Electronics Operating Temperature	Using Alkaline Batteries: -18°C to +55°C (0°F to +130°F) Using Lithium Batteries: -40°C to +85°C (-40°F to +185°F)
LED Light	Status / activity
Certifications	 FCC ID: T9J-RN171. IC: RSS-210 low-power communication device. CE ID: 0681.

Humidity Sensor Specifications	
Accuracy	± 1.8% under normal conditions (10% - 90% RH)
Energy Consumption	80uW (at 12bit, 3V, 1 measurement / s)
RH Operating Range	0 – 100% RH
T Operating Range	-40 – +125°C (-40 – +257°F)
RH Response Time	8 sec (tau63%)



- * Hardware can not withstand negative voltage. Please take care when connecting a power device.
- ** At temperatures above 100°C, it is possible for the board circuitry to lose programmed memory.

Caution/Notice:

This product is designed for application in an ordinary environment (normal room temperature, humidity and atmospheric pressure). Do not use this sensor under the following conditions as these factors can deteriorate the product characteristics and cause failures and burn-out.; corrosive gas or deoxidizing gas - chlorine gas, hydrogen sulfide gas, ammonia gas, sulfuric acid gas, nitric oxides gas, etc.), volatile or flammable gas, dusty conditions, under low or high pressure, wet or excessively humid locations, places with salt water, oils chemical liquids or organic solvents, where there are excessively strong vibrations, other places where similar hazardous conditions exist.

Use this product within the specified temperature range. Higher temperature may cause deterioration of the characteristics or the material quality of this product.

For more information about our products or to place an order, please contact our sales department at +972-77-7756001, +972-8-8523548
Visit us on the web at www.bz-tech.co.il

BZ-TECH
GAN HADAROM
HAZAIT 11 STR
7925500
ISRAE